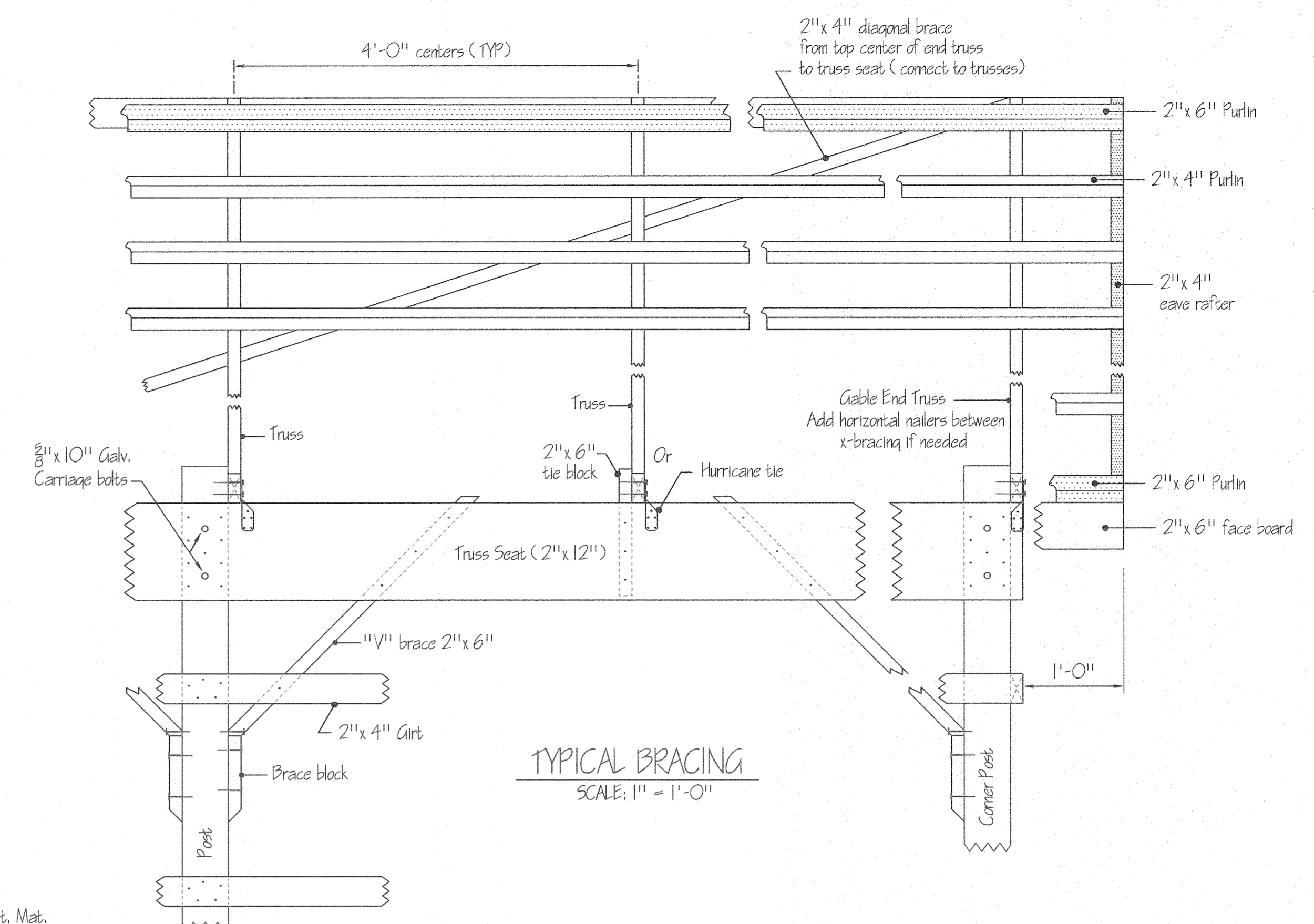


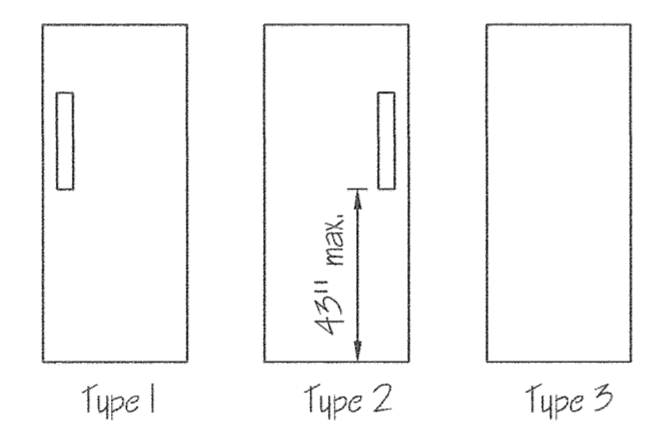
**SIDEWALK DETAIL**  
 SCALE: 1" = 1'-0"

Truss drawing is deferred.  
 NOTE: Design Loading (psf)  
 TOLL 30  
 Snow 29.75 / 42  
 TCDL 5.0  
 BCCL 0.0  
 BCCL 10.0  
 Spacing 4'-0"  
 Plate Grip DOL 1.15  
 Lumber DOL 1.15

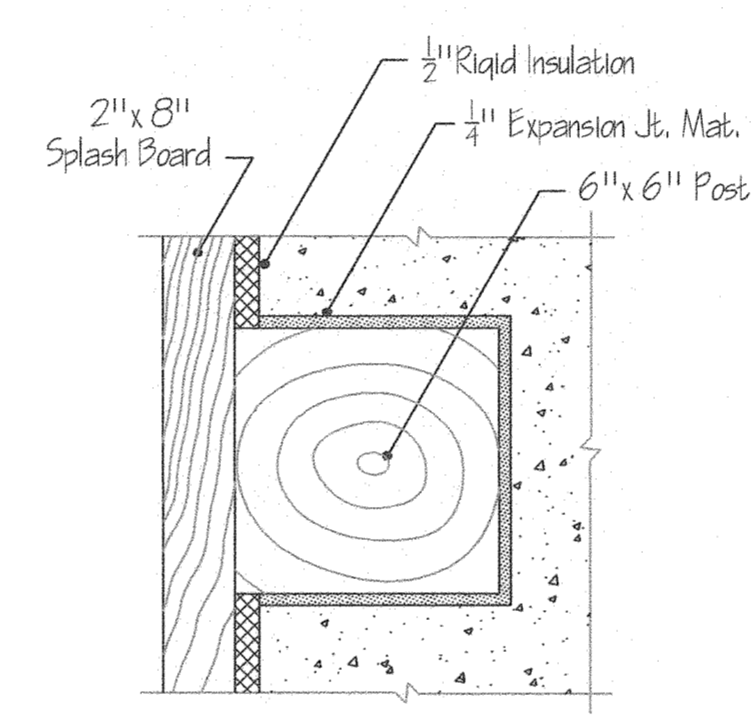


**TYPICAL BRACING**  
 SCALE: 1" = 1'-0"

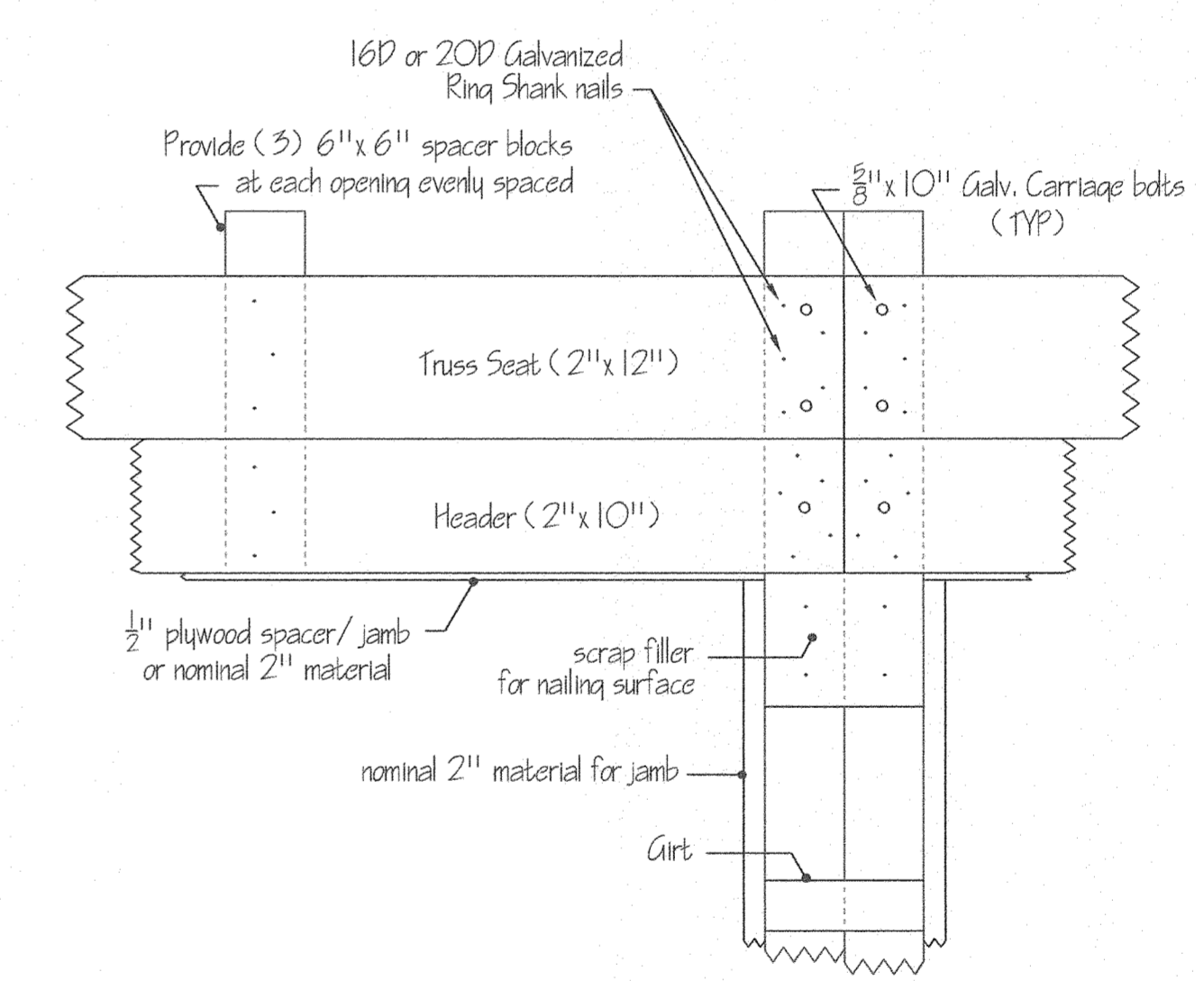
Mark	Type	W	H	T	Hand	Qty	Remarks
A	2	5'-0"	7'-0"	1-3/4"	LHR	1	Insulated Core w/ glass, Panic Bolt
A	1	5'-0"	7'-0"	1-3/4"	RHR	1	Insulated Core w/ glass, Panic Bolt
B	3	5'-0"	7'-0"	1-3/4"	LHR	0	Non-Insulated Core w/ lockset
C	3	5'-0"	7'-0"	1-3/4"	RH	0	Non-Insulated Core w/ passage set
D	2	5'-0"	7'-0"	1-3/4"	LHR	0	Non-Insulated Core w/ glass, Panic Bolt



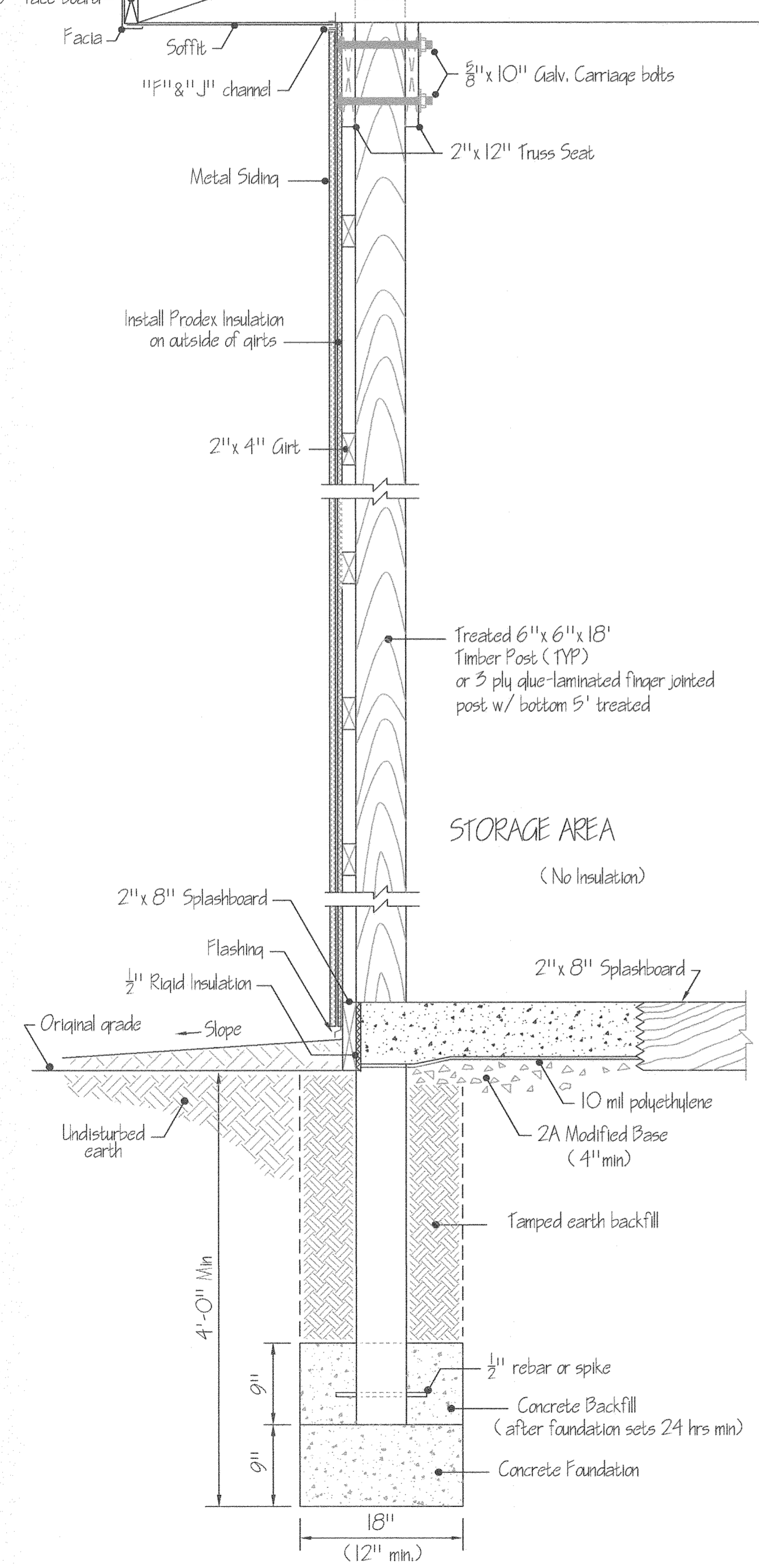
**DOOR SCHEDULE**



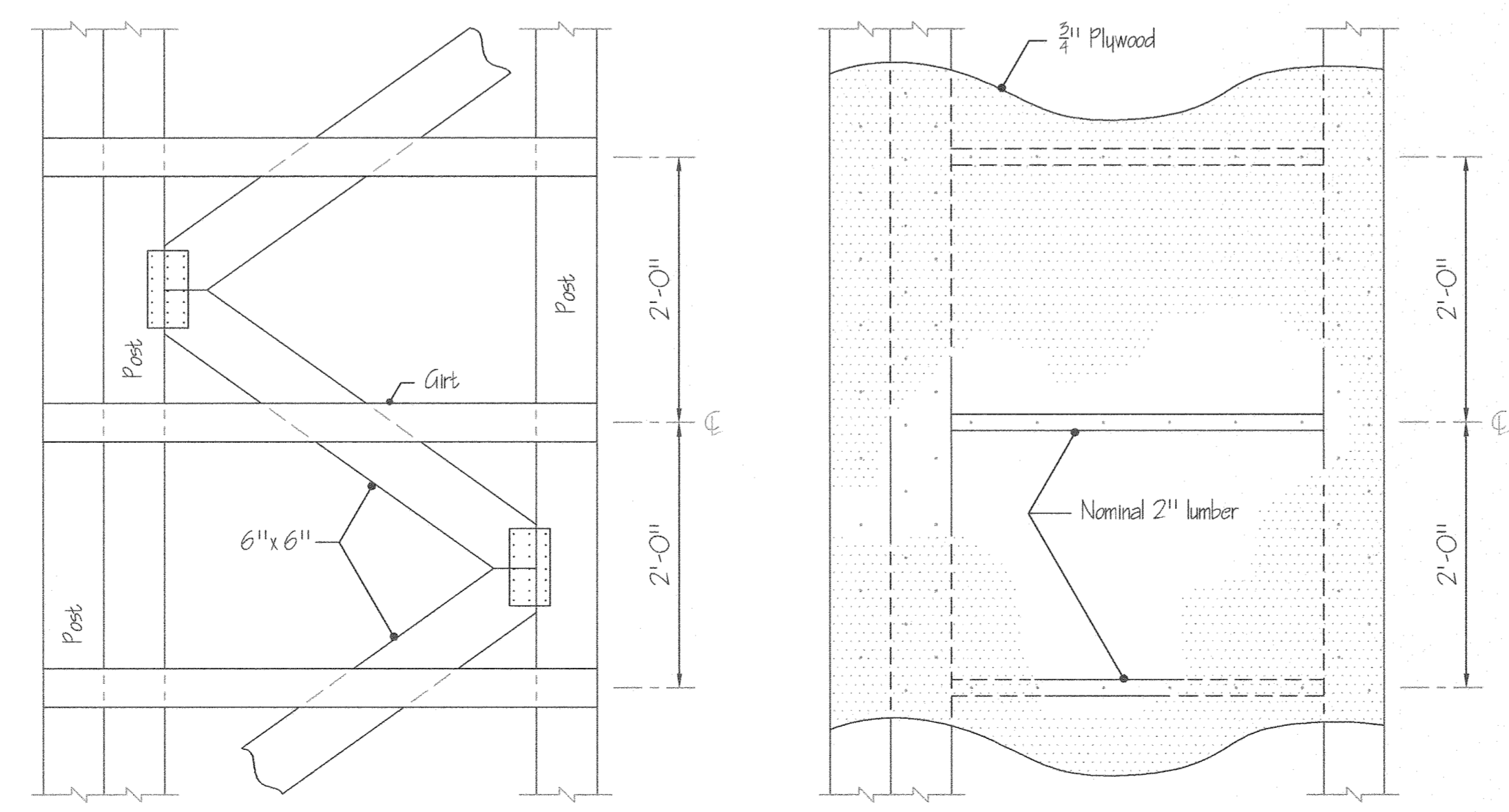
**DETAILS AT POST**  
 SCALE: 3/4" = 1'-0"



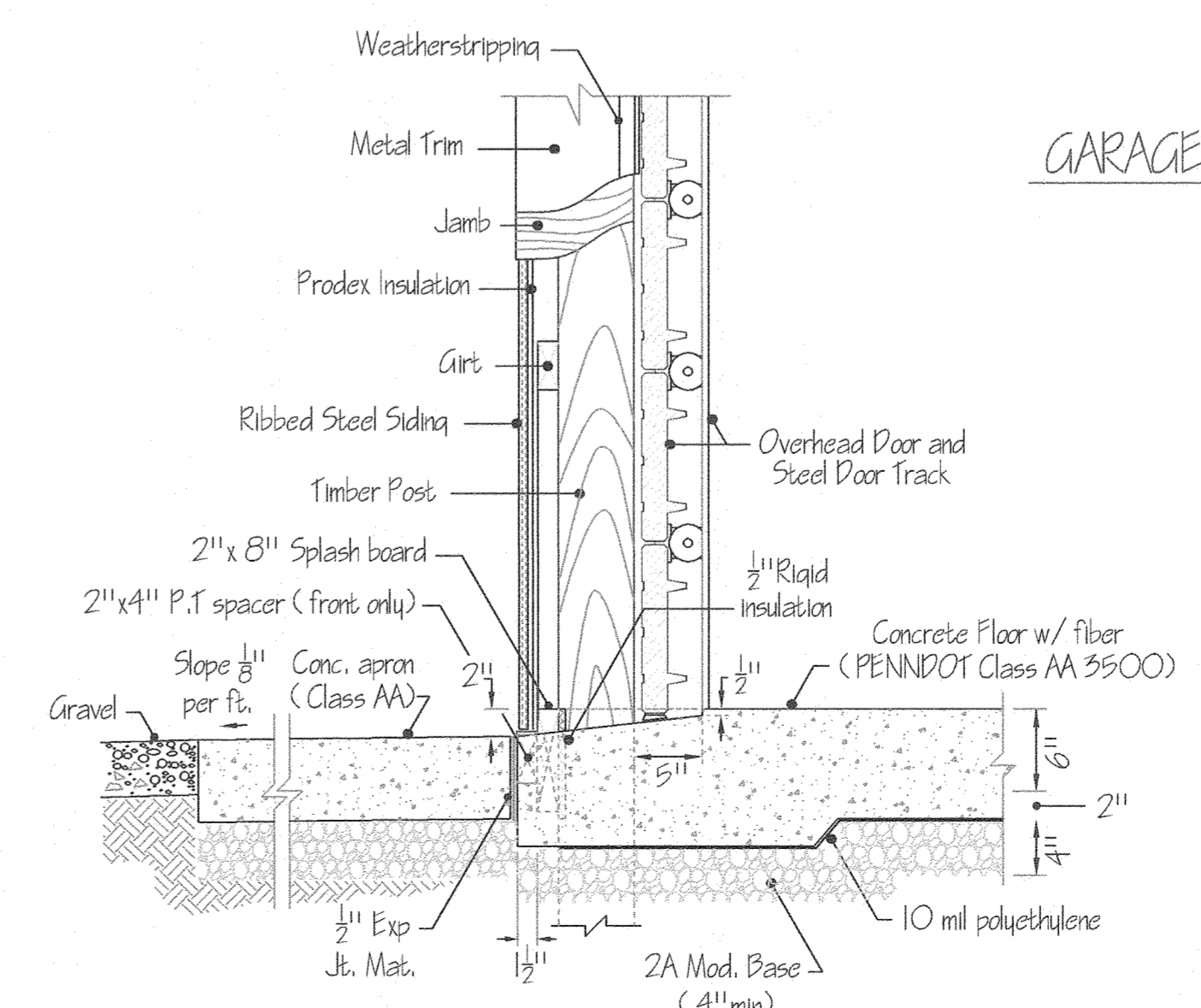
**GARAGE DOOR FRAMING DETAIL**  
 SCALE: 1" = 1'-0"



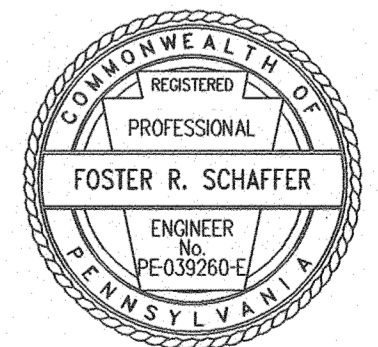
**CROSS SECTION DETAIL**  
 SCALE: 1" = 1'-0"



**6" x 6" BRACING** SCALE: 1" = 1'-0" (FRONT CORNERS ONLY)  
 OR  
**PLYWOOD BRACING** SCALE: 1" = 1'-0" (FRONT CORNERS ONLY)



**O.H. DOOR SILL AND JAMB DETAIL**  
 SCALE: 1" = 1'-0"



**PENNSYLVANIA GAME COMMISSION**

STATE GAME LANDS 25B	LIVERPOOL TWP.	PERRY CO.
FRAMING DETAILS		
REVISIONS	PROJECT NO.	PCC-25B-18-1
	DRAWING NO.	25B-1
	DRAWN BY:	JBM
	DATE:	02-21/19
	SHEET NO.	2 OF 3